

900A Flexible Water Cooled Leads

Efficient Power for Heating Solutions

Our 900A flexible water cooler leads allow the induction heating coil to be remotely connected to the heat station where the coil is required to move. The leads are available in lengths from a minimum of 3 feet to 15 feet. Our leads can handle up to 1200A at 3ft (18 kHz). Current is derated for cable length and operating frequency. See chart on back for reference. Custom lengths greater than 15 feet are possible, please contact sales. Leads come standard with 3/8" NPT fittings.

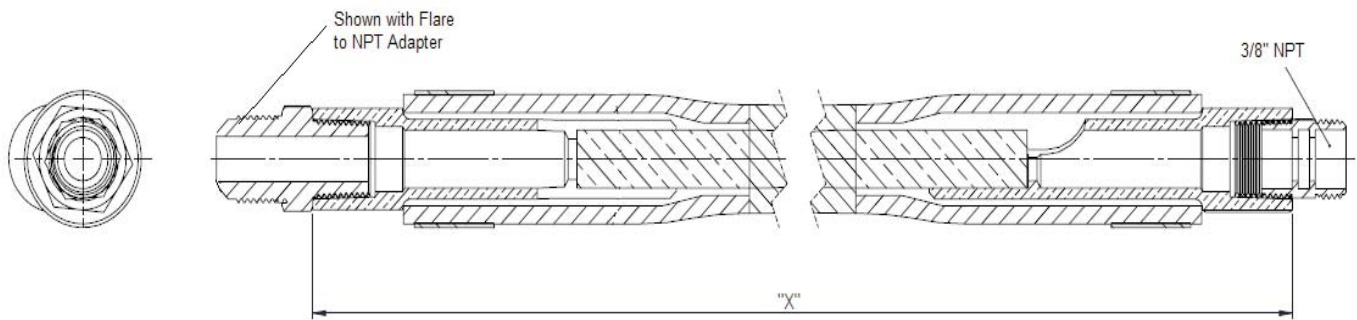
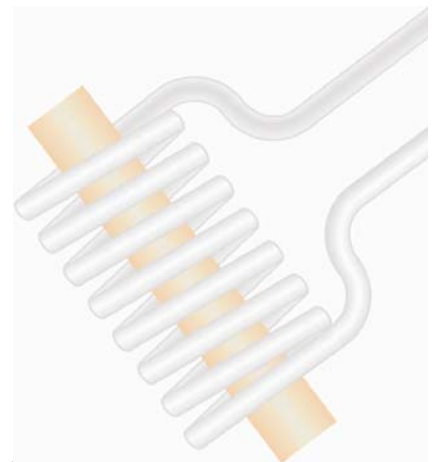


Figure: Standard 3 Feet Flexible Lead



Current Rating for Length and Frequency

Use the following table for guidelines on rating of flex leads. Any questions, please contact sales.

Flex Lead Power Loss (Watts)							
3 Feet (0.91 M)		6 Feet (1.8 M)					
Amps	15 kHz	150 kHz	250 kHz	Amps	15 kHz	150 kHz	250 kHz
100	0.03	0.07	0.11	100	0.05	0.15	0.22
200	0.10	0.30	0.44	200	0.21	0.60	0.88
300	0.23	0.67	0.99	300	0.46	1.34	1.97
400	0.41	1.19	1.75	400	0.82	2.38	3.50
500	0.64	1.86	2.74	500	1.29	3.72	5.47
600	0.93	2.68	3.94	600	1.85	5.36	
700	1.26	3.65	5.36	700	2.52		
800	1.65	4.77		800	3.29		
900	2.08			900	4.16		
1000	2.57			1000			
1100	3.11			1100			
1200	3.70			1200			

Use minimum water flow for rated current per color code below to keep water temperature rise below 10C.

Min Flow	2.5	4.0	6.0	l/min
	0.66	1.1	1.6	gpm

Standard Part Numbers

Use the following table to order the proper length. You must order cables in pairs (i.e. Quantity 2 for a complete set).

Part Number	Meters	Feet
CAB-WCL-900-03	0.91	3
CAB-WCL-900-04	1.22	4
CAB-WCL-900-05	1.52	5
CAB-WCL-900-06	1.83	6
CAB-WCL-900-07	2.13	7
CAB-WCL-900-08	2.44	8
CAB-WCL-900-09	2.74	9
CAB-WCL-900-10	3.05	10
CAB-WCL-900-11	3.35	11
CAB-WCL-900-12	3.66	12
CAB-WCL-900-13	3.96	13
CAB-WCL-900-14	4.27	14
CAB-WCL-900-15	4.57	15